

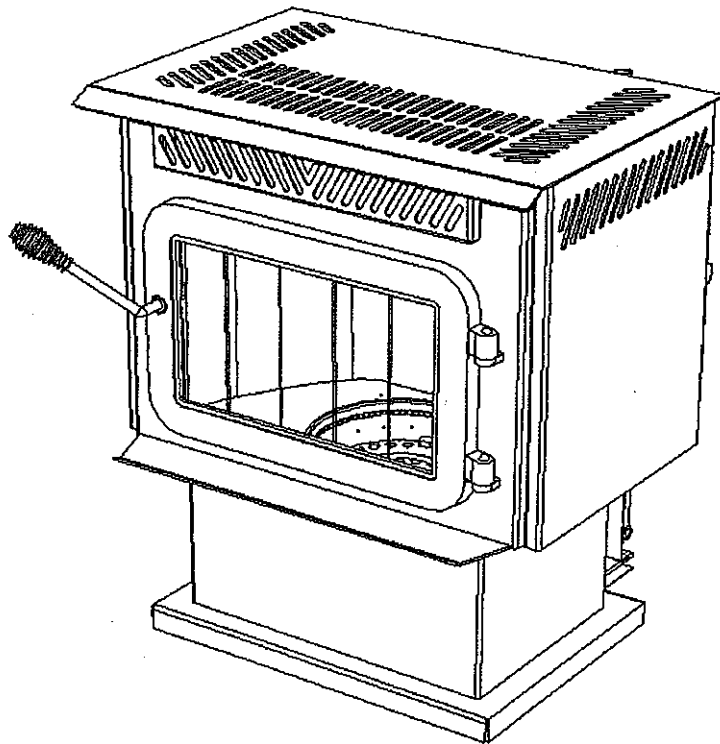
INSTRUCTION MANUAL FOR USE AND INSTALLATION

OIL BURNING STOVE MODELS GLT-I and GLT-II

WARNOCK HERSEY CERTIFIED PRODUCT BY INTERTEK TESTING SERVICES NA LTD (ITS) TO CSA B 140.3 AND UL896

WARNING

OIL BURNING APPLIANCES MUST BE CONNECTED TO A CHIMNEY WHICH WILL PROVIDE ADEQUATE DRAFT AT ALL TIMES TO ENSURE A PROPER AND SAFE OPERATION OF THE BURNER.



Warnock Hersey



GLT

METAL M.D.R. INC.

GLT-I

GLT-II

PLEASE READ AND SAVE THESE INSTRUCTIONS FOR REFERENCE

TABLE OF CONTENTS

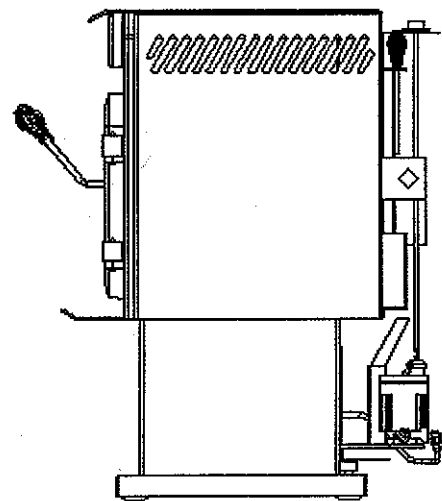
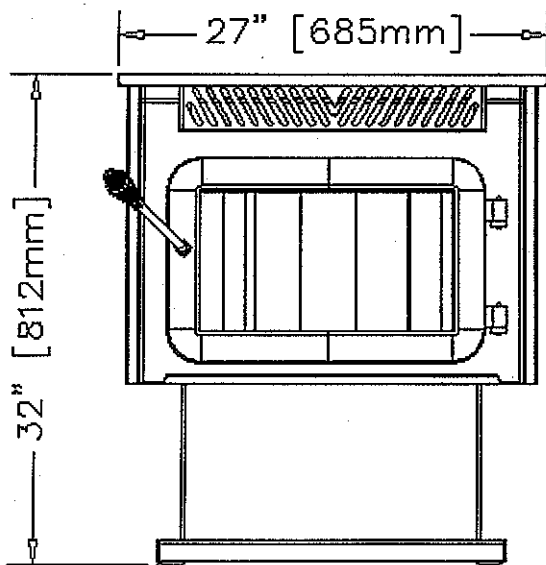
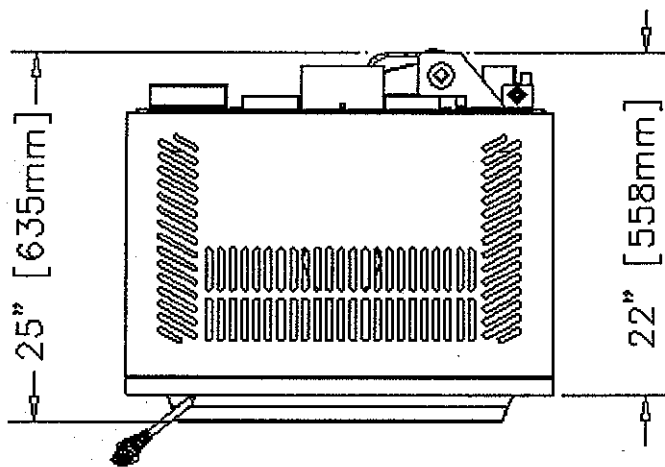
	Page
Table of contents	2
Dimensions.....	3 - 3.1
Specifications	4 - 4.1
Clearance to combustibles	4 - 4.1
Locating the appliance	4 - 4.1
Chimney and connection	5
Installation diagram	6
Lighting / Adjustment	7
Cleaning	7
Turning the stove off	8
Chimney draft	8
Oil tank installation	9
Blower wiring diagram	9
Regulation of the valve	10
Sweeping the chimney	10
Troubleshooting	11
Replacement parts	12
Warranty	13



DIMENSIONS

GLT-I

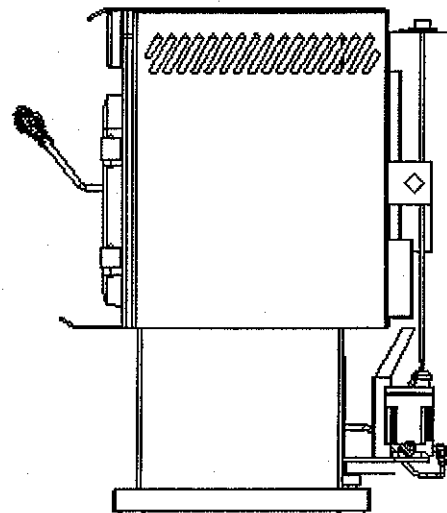
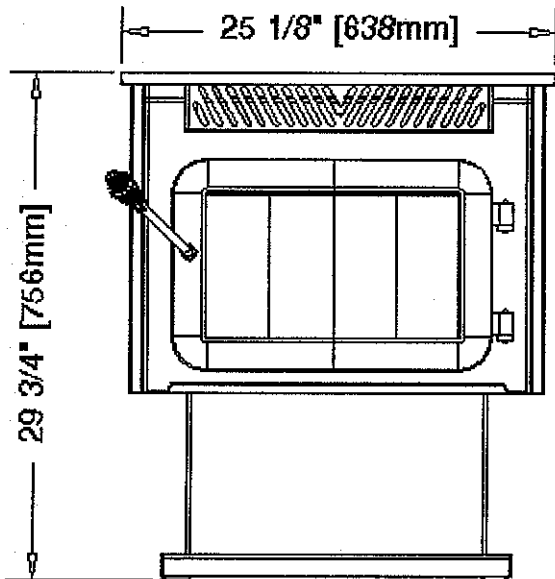
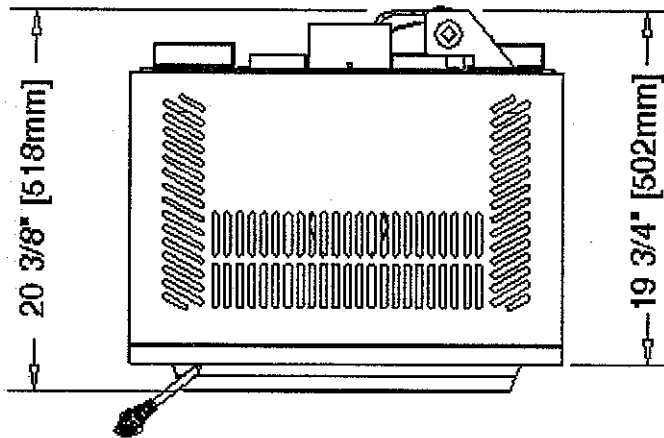
Height	32"	(812 mm)
Width	27"	(685 mm)
Depth	22"	(558 mm)
Diameter of the flue collar: ...	5"	(127 mm)
Distance between the floor and the top of the flue collar	: 21"	(534 mm)



DIMENSIONS

GLT-II

Height	29-3/4"	(756 mm)
Width	25-1/8"	(638 mm)
Depth	19-3/4"	(502 mm)
Diameter of the flue collar: ...	5"	(127 mm)
Distance between the floor and the top of the flue collar	19-1/2"	(500 mm)



SPECIFICATIONS

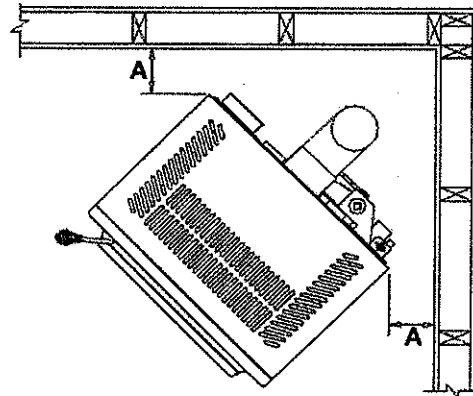
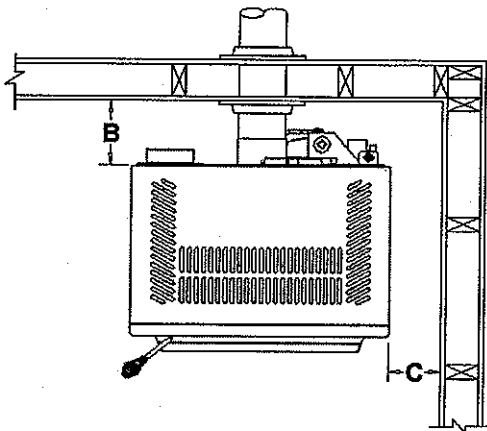
GLT-1

	<u>Oil #1</u>	<u>Oil #2</u>
Minimum Input	8.0 cc/min (17,214 BTUH)	7.4 cc/min (16,365 BTUH)
Maximum Input	21 cc/min (45,300 BTUH)	18.5 cc/min (40,500 BTUH)
Efficiency (fan off)	73%	71%
Efficiency (fan on)	75%	73%
Output (fan off)	33,000 BTUH	28,800 BTUH
Output (fan on)	34,000 BTUH	29,600 BTUH
Recommended draught	0.05" w.c.	0.05" w.c.

CLEARANCE TO COMBUSTIBLES:

Back 8" (20 cm) Sides 10" (25 cm) Corners 6" (15 cm) Floor 0"

A	6" (15cm)	C	10" (15cm)	E	9" (23cm)
B	8" (20cm)	D	9" (23cm)		



IMPORTANT: A MINIMUM CLEARANCE OF 9" FROM PIPE TO COMBUSTIBLES MUST BE ALLOWED.

LOCATING THE APPLIANCE:

1. The flue outlet is located on the back of the appliance.
2. It is possible to connect the stove directly to the chimney using a short horizontal length of pipe. A vertical connection can be made using a short horizontal pipe, a 90° elbow and a vertical pipe.
3. Make sure that the burner always stands perfectly level with the floor. The appliance must be correctly fixed to the floor using the two fixing screws to be fitted at the rear of the frame.(see drawing page 12).

Note: The installation shall be in accordance with the regulations of authorities having jurisdiction and the installation code for oil burning equipment CAN/CSA B139.

VERY IMPORTANT: *The installation must be done by an approved member of the local "Mechanical Contractors Association" in good standing / or by a Certified Oil Burner technician (competence card required) to validate the warranty.*

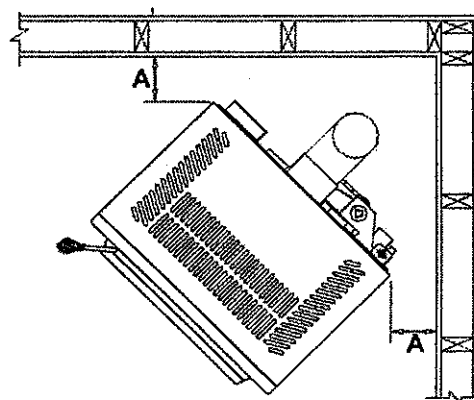
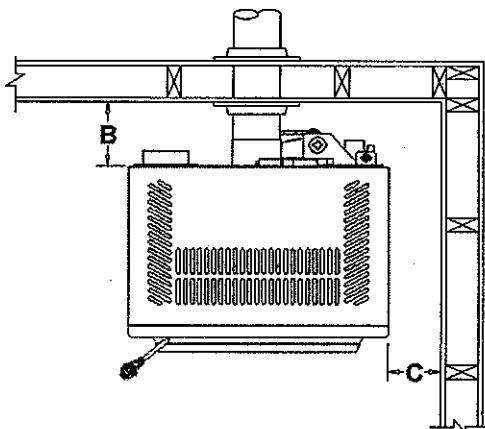
GLT-II

	<u>Huile #1</u>	<u>Huile #2</u>
Débit minimum	7.2 cc/min (0.43l / hre)	6.4 cc/min (0.38l / hre)
Débit maximum	16 cc/min (0.96l / hre)	13.5 cc/min (0.81l / hre)
Efficacité (sans ventilateur)	77%	75.5%
Efficacité (avec ventilateur)	78.5%	77.5%
Puissance de sortie (sans ventilateur)	26,500 BTUH (7.8 Kw)	22,500 BTUH (6.6 Kw)
Puissance de sortie (avec ventilateur)	27,000 BTUH (7.9 Kw)	23,100 BTUH (6.8 Kw)
Tirage	0.05" c.e.	0.05" c.e.

DÉGAGEMENTS AUX COMBUSTIBLES:

Arrière 6" (15cm) Côtés 7" (18cm) Coins 6" (15cm) Plancher 0"

A	6" (15cm)	C	7" (18cm)	E	9" (23cm)
B	6" (15cm)	D	9" (23cm)		



IMPORTANT: UN DÉGAGEMENT MINIMUM DE 9" (23CM) DU TUYAU D'ÉVACUATION AUX MATÉRIEAUX COMBUSTIBLES DOIT ÊTRE RESPECTÉ.

MISE EN PLACE DE L'APPAREIL:

1. La buse est située à l'arrière de l'appareil.
2. Le poêle peut être raccordé directement au conduit de cheminée en utilisant un tuyau horizontal ou un coude 90°, pour le raccordement vertical.
3. Il est très important que le brûleur et le carburateur soient de niveau avec le sol. Le poêle doit être solidement fixé au plancher avec les vis de fixation qui devra être installée à l'arrière de l'appareil. (page 12)

Note: L'installation doit être conforme à la réglementation en vigueur des autorités ayant juridiction.

Code d'installation des appareils de combustion aux mazout : CAN/CSA B139

Très Important : L'installation doit être faite par un membre en règle de la Corporation des Maîtres Mécaniciens en Tuyauterie du Québec. (C.M.M.T.Q.) / ou d'un Technicien Brûleur à l'Huile Certifié (Carte de compétence requise) pour que la garantie soit respectée.

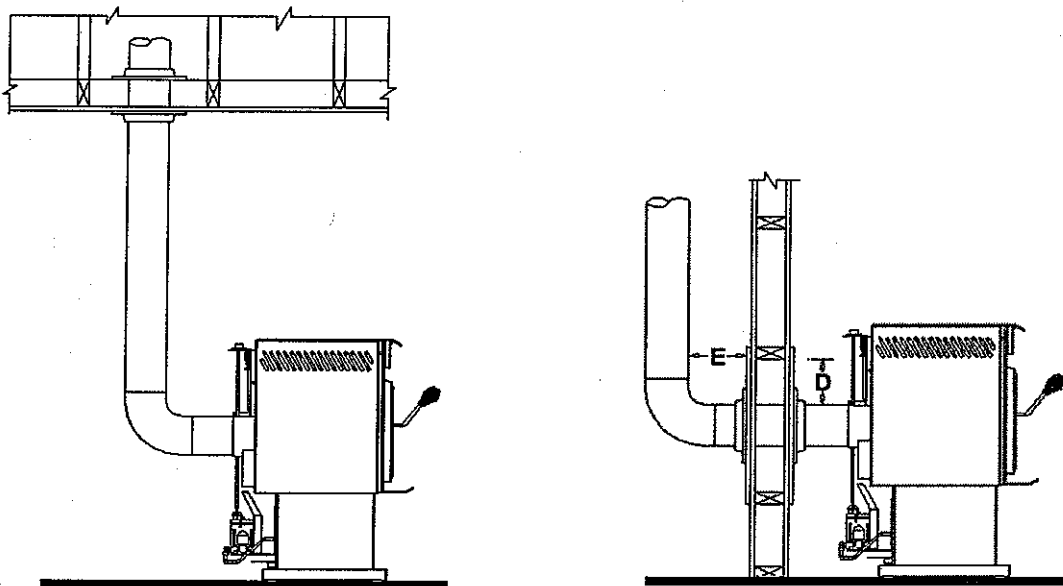
CHIMNEY AND CONNECTION

1. Before the installation is carried out, inspect the chimney to ensure that it is in good condition. This will eliminate problems such as an inadequate draft.
2. The draft should reach .05" W.C. (water column).
3. The chimney must be airtight to avoid rapid cooling.
4. Chimney sections must be of constant diameter. The minimum diameter must be no less than 5" (127 mm); on the other hand, an excessively large diameter produces too great a volume which is difficult to heat. This is one of the principal causes of poor draft. A smaller chimney liner can help correct that problem.
5. The chimney should be no less than 5 meters (16-½ ft) high and the top of the chimney should be above the ridge of the roof, in the open air, including the chimney liner.
6. The pipe diameter extending from the stove should never be less than 5" (127 mm.)
7. The connection between the stove's pipe and the chimney must be perfectly airtight.

IMPORTANT: It is essential to make sure that the room in which the appliance is installed is sufficiently well ventilated in order to provide an adequate air supply.

BURNING OF ONE LITRE FUEL OIL REQUIRES APPROXIMATELY 30 m³ (1059 ft³) OF AIR AND WILL PRODUCE APPROXIMATELY 0,8 kg (1.75 LB) OF WATER VAPOUR AND 9m³ (317.8 ft³) OF CARBON DIOXYDE AND ATMOSPHERIC NITROGEN. A SOURCE OF FRESH AIR FROM THE OUTSIDE IS NEEDED TO REPLACE THE COMBUSTION AIR.

NOTE: DO NOT USE GASOLINE, OR ANY GAS BY-PRODUCT.

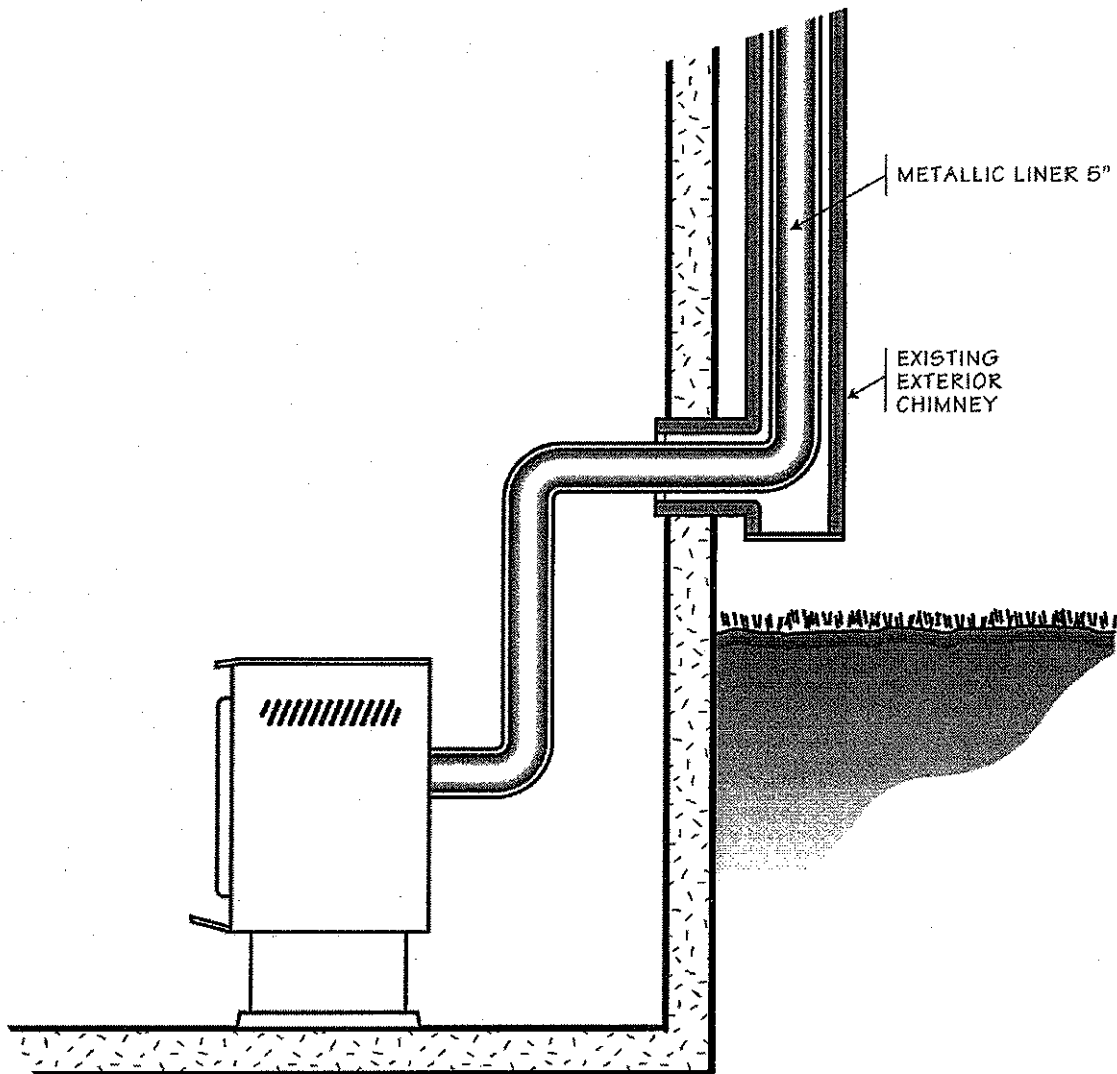


IMPORTANT

For an installation with an outside chimney, the inside diameter of the chimney must be 5" (127 mm) maximum, otherwise a 5" (127 mm) stainless liner must be installed inside the chimney.

NOTE

Connecting the stove to an outside chimney that is too large will cause draft problems during very cold weather and will make the use of the stove hazardous because of rapid chimney cooling.



LIGHTING / ADJUSTMENT

1. Refer to drawing on page 12 to make sure that the two burner rings are correctly positioned (items 13 and 14).
2. Open the tap of the oil tank.
3. Arm the valve's lever at the back of the stove by lowering it. (See drawing on page 8) (lower and lift the lever 2-3 times to purge the air that could have entered in the oil line).
4. Set the flow regulating handle to position "6" and turn it down to "1" as soon as the oil has started flowing into the burner.
5. Open the door and pour a little burning alcohol or lighting gel (0,75 cm to 1,25 cm) into the burner. Light it up with a small piece of paper then, close the door.
6. After 4 to 6 minutes, the burner will have warmed up and you can start increasing the flow step by step (one position at a time until you have reached the desired position). (Note: Always wait 15 minutes minimum before increasing the flow (between each position). No waiting is necessary to decrease the flow.

WARNING: If you miss the stove's lighting, you must wait for the burner to cool down to room temperature before making an other attempt. Use commercial lighting material (lighting gel) or a piece of cotton damped in oil only.

If, further to some misoperation, the burner finds itself filled with excess quantities of oil, all of the oil must be removed before lighting the stove again.

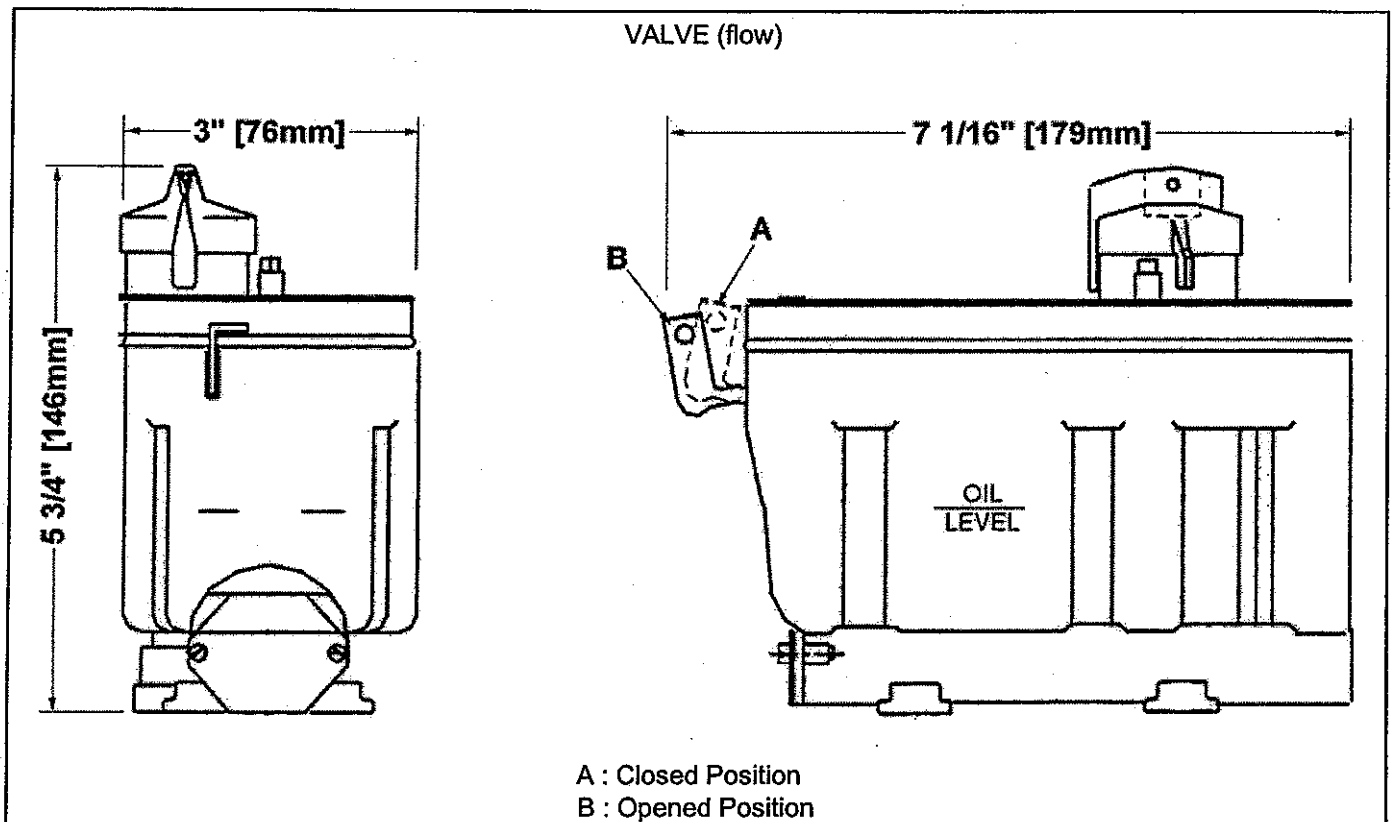
DO NOT ATTEMPT TO START THE BURNER WHEN EXCESS OIL HAS ACCUMULATED, OR WHEN THE BURNER IS HOT. WAIT FOR COMPLETE COOL DOWN OF THE BURNER BEFORE TRYING TO LIGHT UP AGAIN. DUE TO HIGH SURFACE TEMPERATURES KEEP CHILDREN, CLOTHING AND FURNITURE AWAY. THIS APPLIANCE MUST BE USED WITH A SEPARATE OIL TANK ONLY.

CLEANING

As long as the chimney's draft is correct and the valve is correctly set, the burner should not get dirty. The cleaning tee should be turned, pushed forward and pulled back into place once a week.

During the heating season, the burner and its rings should be cleaned with a metal brush at least every two months.

Before lighting the stove at the beginning of the heating season, clean the valve's filter and check cleanliness of the stove's internal flue parts, heat deflectors and smoke box.



TURNING THE STOVE OFF

Set the flow regulating handle to position "0". If you plan to keep the stove off for a long period, it is recommended to disarm the valve's lever and close the tap on the pipe between the stove and the oil tank. (See front view above).

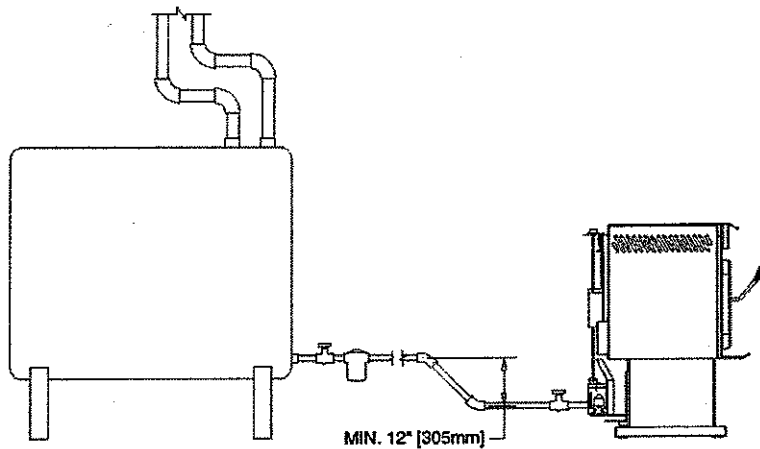
WARNING! ALWAYS KEEP THE VALVE SHUT OFF WHEN THE BURNER IS NOT OPERATING.

CHIMNEY'S DRAFT

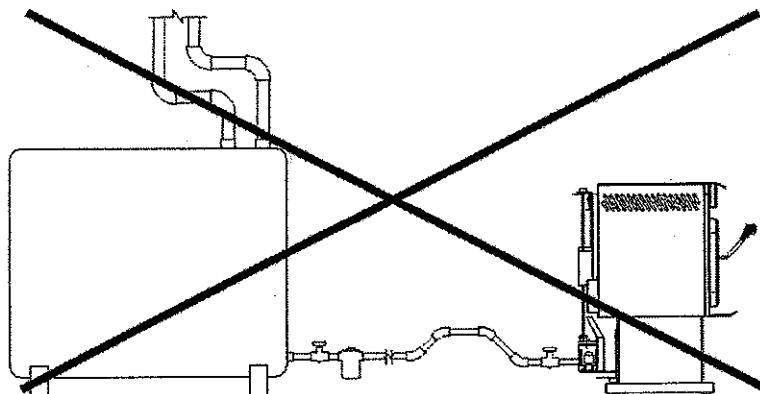
Efficiency problems and soot build up are usually caused by an inadequate chimney's draft. The situation must be corrected immediately in order to obtain 1.5 mm W.C. (0.05" W.C.) after having burned for an hour while the flow regulating handle is set to position "6". A draft higher than 1.5 mm W.C. (0.05" W.C.) Must be adjusted and checked again using a water column (no other method is acceptable). Providing the chimney's draft is correct, you should be perfectly satisfied with your oil stove.

(Important: must be installed by a qualified technician)

Recommended



Not-Recommended



Installation of the oil tank:

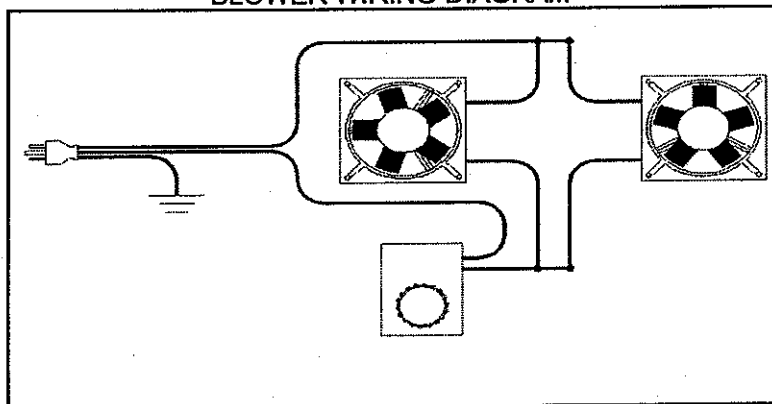
The oil outlet on the tank must be located at least 12" (305 mm) higher than the oil inlet on the stove regulator.

Cleaning of the oil filter:

1. Remove the plate.
2. Remove the gasket
3. Remove the oil filter
4. To clean the oil filter, rinse in petroleum or kerosene
5. Dry the oil filter and put it back in place

OPTIONAL BLOWER FOR THE GLT-II.

BLOWER WIRING DIAGRAM



REGULATION OF THE VALVE

VERY IMPORTANT: The regulator has been pre-set at the factory. Under normal conditions, no adjustment should be required.

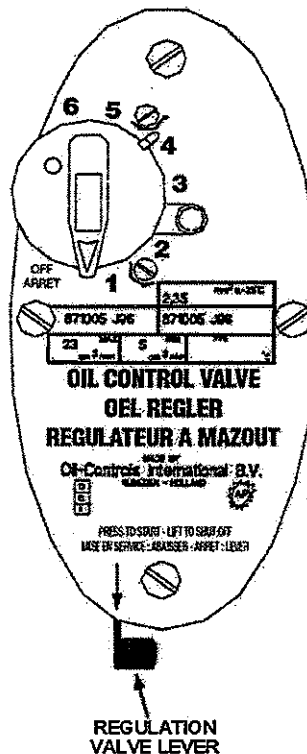
NOTE : When they are needed, the adjustments must be conducted by a qualified technician only. Adjustment is required only if fuel's viscosity varies. Adjustment made by a non-qualified technician voids the warranty.

Adjustment is done using the two regulation screws that can be found on top of the valve : "Maximum flow decrease" and "Minimum flow decrease"

- If the minimum flow is too high, turn the relevant screw in the direction the arrow points to.
- If the maximum flow is too high, as indicated by a long and sootish flame, turn the relevant screw in the direction the arrow points to.
- Oil flows cannot be increased.

NOTES:

- It is advisable to adjust the regulation screws with utmost care. Always start by setting minimum flow because maximum flow adjustment is very sensitive and must be done with caution (by a qualified technician only).
- The oil tank should be located so that the tank will not be exposed to direct sunlight, or be adjacent to any source of intense heat.
- For use with a separate oil tank only



Important : *The installation must be done by an approved member of the local "Mechanical Contractors Association" in good standing / or by a Certified Oil Burner technician (competence card required) to validate the warranty.*

SWEEPING THE CHIMNEY

Sweep and inspect your chimney at least once a year. Clean the stove and check the door seals.

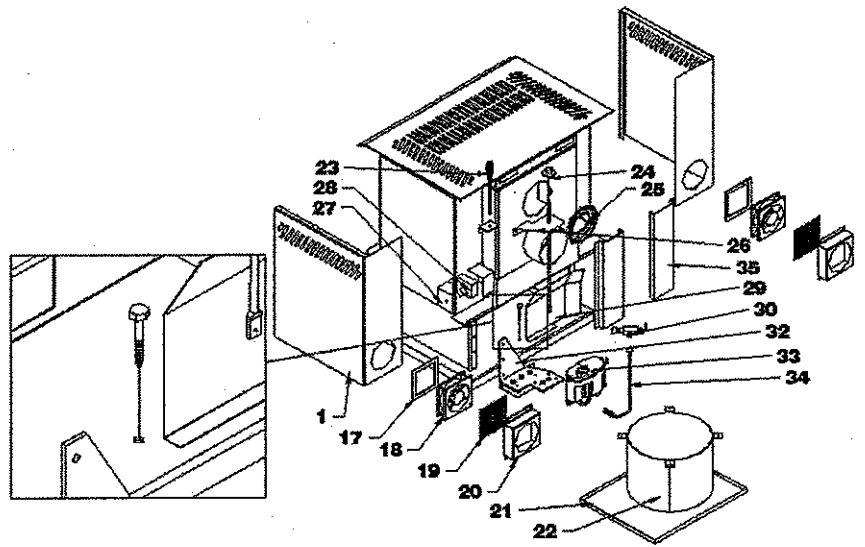
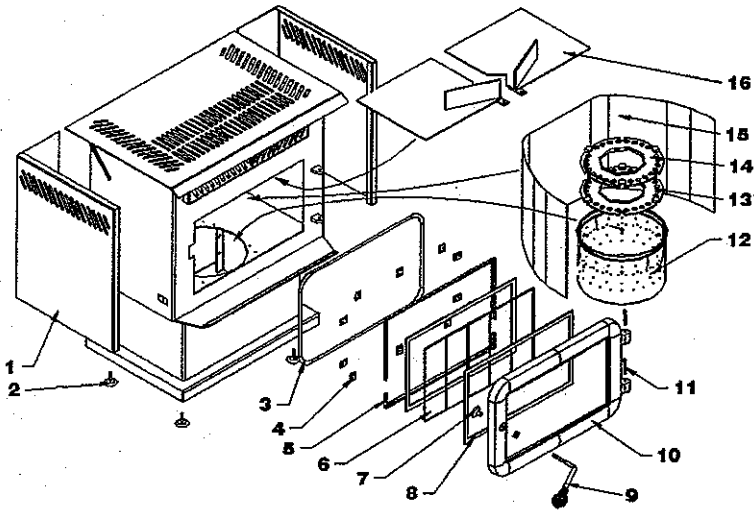
TROUBLE SHOOTING

PROBLEM	POSSIBLE CAUSE	CORRECTION
<p>On position "6" (maximum) the flame gets longer, produces smoke and black deposits on the window. (<i>Borofloat glass</i>)</p>	<p>Position "6" was reached too quickly.</p>	<p>Set flow regulating handle to position 0 and wait for combustion to get back to normal. Then, progressively get back to desired position. (see "LIGHTING - ADJUSTMENT")</p>
<p>On position "6" (maximum) the flame gets longer, produces smoke and black deposits on the window.</p>	<p>Maximum flow is too high.</p>	<p>Set flow regulating handle to an intermediate position and call a qualified technician to adjust your stove's valve.</p>
<p>On position "1" or "2", the flame produces smoke.</p>	<p>Minimum flow is too low.</p>	<p>Set flow regulating handle to a higher position and call a qualified technician to adjust your stove's valve.</p>
<p>The flame produces smoke in any position.</p>	<p>The door is not completely closed.</p>	<p>Close the door.</p>
	<p>The burner's holes are blocked.</p>	<p>Clean the burner.</p>
	<p>Chimney's draft is too low.</p>	<p>Call a qualified technician.</p>
<p>Flame goes out.</p>	<p>Oil tank is empty.</p>	<p>Refill tank.</p>
	<p>Impurities coming from oil, tank or pipes block the flow inside the tank, in the valve's filter, in the slot of the valve's flow regulating rod or at cleaning tee tip.</p>	<p>Call a qualified technician to have your stove inspected and cleaned.</p>

NOTICE: The chimney's draft ensures the supply of air for combustion to take place in the burner. Dirty *Borofloat glass* is caused by bad combustion, itself being due to a lack of air. Most of the time, this is due to insufficient chimney draught.

***** IMPORTANT: Keep the appliance door closed at all times.*****

REPLACEMENT PARTS



DESCRIPTION

- 1 Side panel
- 2 Adjustable legs
- 3 Door gasket
- 4 Glass retainers
- 5 Glass frame
- 6 Glass panels
- 7 Door lock
- 8 Glass gasket
- 9 Door knob
- 10 Door
- 11 King pin
- 12 Oil burner
- 13 Lower burner ring
- 14 Upper burner ring
- 15 Stainless steel baffle
- 16 Heat deflector
- 17 Blower gasket

DESCRIPTION

- 18 Blower
- 19 Blower screen
- 20 Blower support
- 21 Oil pan
- 22 Burner casing
- 23 Handle
- 24 Regulator knob
- 25 Draft damper
- 26 Rod support
- 27 Rheostat support
- 28 Rheostat
- 29 Baffle
- 30 Cleaning "T"
- 32 Regulator support
- 33 Regulator
- 34 Regulator pipe

WARRANTY

This GLT oil appliance is warranted against all manufacturing defects for a five (5) years period from the date of purchase, if used normally.

This warranty applies to the original buyer and is not transferable. This warranty applies only if the appliance is used as expected. Any neglect, accident, bad maintenance or incorrect installation voids warranty (must be installed according to manufacturer's instruction and by a C.M.M.T.Q. qualified technician / or by a certified Oil Burner technician (competence card required).

During the first year of use of the stove, **MÉTAL M.D.R. INC.** will supply replacement parts as required without charge. However, any part replacement must be previously approved by an authorized agent from **MÉTAL M.D.R. INC.** (Part replacement will be done by a certified technician from your dealer) (F.O.B. Granby, Quebec, Canada)

From the second to the fifth year of this warranty, **MÉTAL M.D.R. INC.** will supply replacement parts without charge except for the following parts that are under warranty for the first year only: BURNER, RINGS, REGULATOR, ELECTRICAL COMPONENTS, BLOWERS, RHEOSTAT; BOROFLOAT GLASS AND GASKETS, DOOR'S PLATING, DECORATIONS.

Any eligible repair made under this warranty must be done by a GLT dealer and its qualified technician. Repairs done elsewhere will void warranty. The buyer shall pay mileage expenses or loading costs as required for transportation of the stove, for inspection or repair (F.O.B. Granby, Quebec, Canada) Metal M.D.R. Inc credits for the second year 50%, third year 40%, fourth year 30%, fifth year 20% of repairs according to the above conditions.

This warranty is valid only if the stove is bought and used in Canada or the U.S.A.

This warranty is the only one valid and replaces any other warranty, agreement, etc..., either written, verbal or implied and no person, agent, distributor, dealer or any third party is authorized to change, modify or extend in any way this warranty.

The present warranty is limited to the replacement of proven defective parts. This warranty does not cover damage or expenses incurred from a product defect including damages caused to the property...

The manufacturer shall not be bound by this warranty if the buyer has not detached and returned the warranty card within 10 days of the purchase date.

IMPORTANT: Keep your invoice, it is your best proof of purchase, as well as the name of the qualified technician that made the installation

WARRANTY CARD

Detach and return within 10 days of purchase date

MODEL NO.: _____ SERIAL NO.: _____

PURCHASE DATE _____

I declare having read and understood the operating and installation instruction and I will follow them.

YOUR NAME: _____

YOUR ADDRESS: _____

CITY: _____ PROVINCE: _____ POSTAL CODE: _____

TELEPHONE: () _____

DEALERS NAME: _____

CITY: _____ PROVINCE: _____

TELEPHONE: _____

TECHNICIANS NAME: _____
TELEPHONE: _____
CERTIFICATE MEMBER NO.: _____

Please return to : Metal M.D.R. Inc. 536 Guy st., Granby (Quebec) J2G 7J8



The installation must be done by an approved member of the local "Mechanical Contractors Association" in good standing / or by a Certified Oil Burner technician (competence card required) to validate the warranty.